



# ASP-X352

## Flow Control Valve with Pilot Operated Check Valve

- One-touch fitting for simple connection of supply air
- Universal type for piping convenience
- Meter-out flow control for cylinder speed regulation
- Manual residual pressure release valve for quick release of cylinder pressure
- Integral pilot operated check valve to hold position until pilot signal is provided
- G thread
- Can rotate 360° to desired piping position
- Not for constant rotational use
- Uni-fit thread for compatibility with NPT, BSPT, BSPP, and G thread forms

### APPLICATIONS

**Drop prevention for press fitting jig**

Extension lock

**Drop prevention for litter**

Retraction lock

**Door locking**

Open ← Close Lock

**Picking and placing**

**Pressing and Lifting**

Press

Lifter

### Specifications

Fluid	Air
Proof pressure	217.5 psi (1.5MPa)
Operating pressure range	14.5 to 145psi (0.1 to 1 MPa)
Pilot check valve operating pressure	More than 50% of operating pressure
Number of needle rotations	10 turns
Applicable tubing material	Nylon, Soft nylon, Polyurethane

### Related Products



Flow control w/residual pressure relief

Residual pressure relief Valve

## How to Order

**AS P 3 3 0 F — U 01 — 07 — X352**

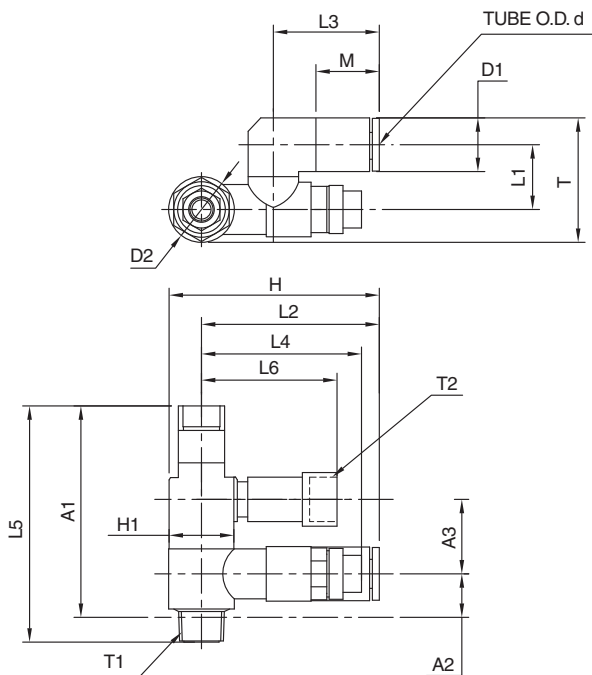
- Flow control
- With pilot check valve
- Body size
 

3	1/8
4	1/4
5	3/8
6	1/2
- Universal type
- With One-touch fitting
- Uni-fit thread form
 

01	1/8
02	1/4
03	3/8
04	1/2
- Applicable tubing O.D.
 

Metric size		Inch size	
06	ø6mm	07	ø1/4"
08	ø8mm	09	ø5/16"
10	ø10mm	11	ø3/8"
12	ø12mm	13	ø1/2"
- With residual pressure relief valve (manual), G thread pilot port

## Dimensions



## Models

Model number	Piping thread	Pilot port	Applicable tubing O.D.						
			Metric size			Inch size			
			ø6	ø8 (5/16")	ø10	ø12	ø1/4"	ø3/8"	ø1/2"
ASP330F-U01-□-X352	1/8" Uni-fit	G 1/8"	●				●		
ASP430F-U02-□-X352	1/4" Uni-fit	G 1/4"		●			●		
ASP530F-U03-□-X352	3/8" Uni-fit	G 3/8"			●			●	
ASP630F-U04-□-X352	1/2" Uni-fit	G 1/2"				●			●

Note) Additional models are possible (i.e. thread form/tubing size combinations), please contact your SMC representative for availability.



Model number	Applicable tubing diameter ød	A1	A2	A3	D1	D2	H	H1	L1	L2	L3	L4	L5	L6	M	T	T1	T2
ASP330F-U01-06-X352	6mm	45.7	9.4	16.1	ø11.6	ø14.2	45.5	14	14	38.4	22.9	34.6 to 39.6	51.1	29.3	13.7	26.9	1/8" Uni	G 1/8"
ASP330F-U01-07-X352	1/4"																	
ASP430F-U02-07-X352	1/4"	63.6	10.4	23	ø15.2	ø18.5	58	21	17.9	46.4	28.2	36.7 to 41.7	70.4	41.7	18.7	34.7	1/4" Uni	G 1/4"
ASP430F-U02-08-X352	8mm (5/16")																	
ASP530F-U03-10-X352	10mm	70.5	13.2	25	ø18.5	ø23	66.1	24	23.1	54.1	32.6	41.9 to 46.9	77.9	44	20.8	43.9	3/8" Uni	G 3/8"
ASP530F-U03-11-X352	3/8"																	
ASP630F-U04-12-X352	12mm	79.4	18.7	29.8	ø20.9	ø28.6	80.3	24	25.9	66	34.3	57.3 to 64.8	87.5	52.2	21.8	50.7	1/2" Uni	G 1/2"
ASP630F-U04-13-X352	1/2"																	



**SMC Corporation of America**  
 3011 N. Franklin Road, Indianapolis IN 46226  
**1-800-762-7621 (1-800-SMC-SMC1)**  
[www.smcusa.com](http://www.smcusa.com)  
**For International inquires** [www.smcworld.com](http://www.smcworld.com)

**SMC Pneumatics (Canada) Ltd.**  
 6768 Financial Drive Mississauga, Ontario L5N 7J6 Canada  
**(905) 812-0400**  
[www.smc Pneumatics.ca](http://www.smc Pneumatics.ca)